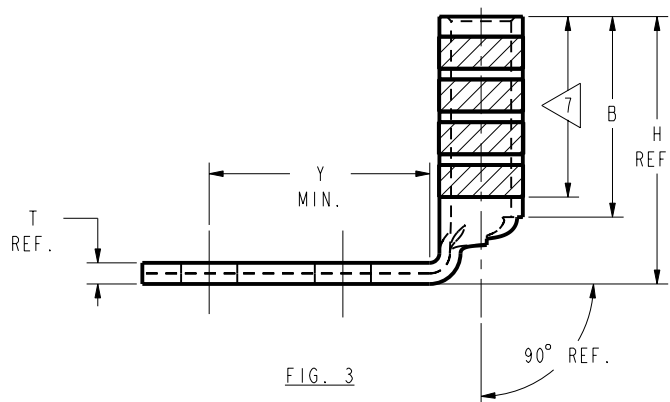
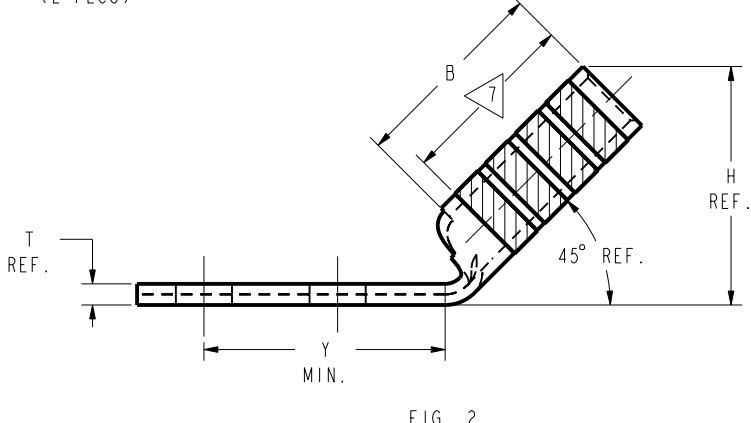
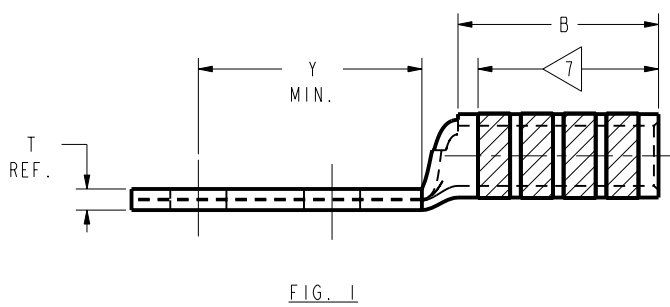
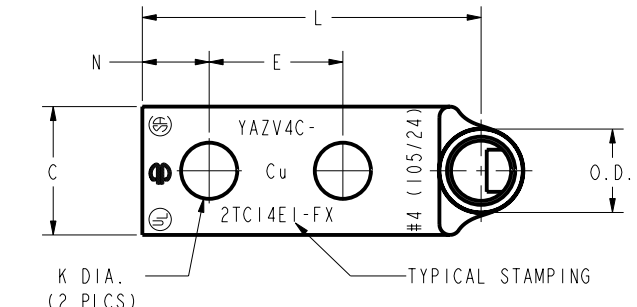
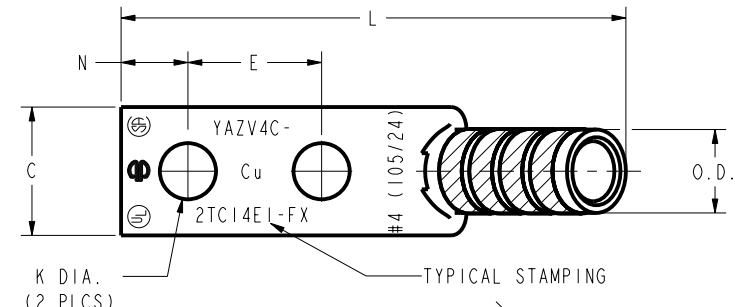
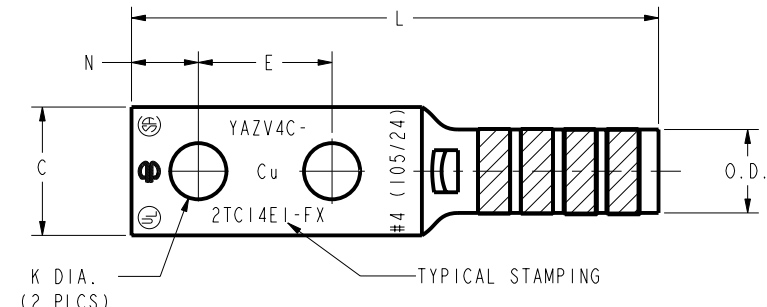


REV	DATE	DESCRIPTION	ECO	BY	C'H'K.
B	1/11/2001 12:00:00 AM	REDRAW AND CATALOG NUMBER UPDATON OF SALES DRAWINGS	17057	BSB	BSK

CATALOG NO.	CONDUCTOR		BOLT SIZE	FIG. NO.	DIMENSIONS										INSTALLATION TOOLING (# CRIMPS)									
	FLEX	CODE (AWG)			B	C	E	H REF.	K DIA.	L	N	O.D.	T REF.	Y MIN.	DIE INDEX	COLOR CODE	MECHANICAL			HYDRAULIC			DIELESS (# CRIMPS)	WIRE STRIP LENGTH
																	MD7-34R	OUR840	Y2MR 5	BCT500 Y500CT	Y750 Y35, BAT35 Y39, BAT750	Y46 4		
YAZV4C2TC14EIFX	#4 WELD 91/24 105/24	#4 AWG	1/4 [M6]	1	1.25	.55	1.00	---	.27	3.20	.31	.38	.09	1.34	8 OR 346	GRAY	7	7	GRAY	7	7	7	MECHANICAL: MY29-11 (1) HYDRAULIC: Y644, Y644M Y644MBH, 1 CRIMP	1-5/16
YAZV4C2TC14EIFX45					1.37			1.93		1.34							7	7	7	7				
YAZV4C2TC14EIFX90					1.69			1.93		1.34							7	7	7	7				
YAZV4C2TC516FX	#4 WELD 91/24 105/24	#4 AWG	5/16 [M8]	1	1.25	.55	1.00	---	.33	3.52	.34	.38	.09	1.37	8 OR 346	GRAY	W4CVT X4CRT W4CRT (2)	X4CRT W4CVT (2)	GRAY	W4CVT X4CRT W4CRT (2)	U4CRT (2)	U4CRT (2)	U4CRT (2)	1-5/16
YAZV4C2TC516FX45								1.37		2.28							1.37	7	7	7	7			
YAZV4C2TC516FX90								1.69		2.24							1.37	7	7	7	7			



- NOTES:
- MATERIAL: COPPER TUBING.
 - FINISH: TIN PLATED.
 - CATALOG # PT6515 ADAPTOR IS REQUIRED TO USE "U" DIES IN Y45 SERIES TOOLS.
 - CATALOG # PUADP-1 ADAPTOR IS REQUIRED TO USE "U" DIES IN Y46 SERIES TOOLS.
 - PERMANENT DIE IN TOOLING.
 - DIMENSIONS IN BRACKETS [] ARE IN MILLIMETERS ROUNDED OFF TO THE NEAREST MILLIMETER, UNLESS OTHERWISE NOTED, AND ARE FOR REFERENCE ONLY.
 - CRIMP (# OF CRIMPS PER TABLE) WITHIN THE LENGTH BETWEEN THE INK STAMPED CRIMPING AREA.

TO ORDER BURNDY® PRODUCTS CALL		HYLUG™ (TWO HOLE FLEX)	
UNITED STATES 1-800-346-4175 (LONDONDERRY, NH)		ITEM NO: N/A	CAT. NO: YAZV4C- (TABLE)
CANADA: 1-800-361-6975 (QUEBEC) 1-800-387-6487 (ALL OTHER PROVINCES)		DRAWN BY: D BOISVERT 8/19/99	CHECKER: K HENRY 8/26/00
FOR PRODUCT INFO: http://www.fciconnect.com		DSN APPVL: RR TEAM 9/28/00	MFG APPVL: --
		QA APPVL: J BRODEUR 10/6/99	MKT APPVL: R ROBICHEAU 10/5/99
		PROJ #: --	SCALE: NTS
		DOCUMENT TYPE: Sales	DRAWING NO: SE212273
		REL LEVEL: Released	REV: B
		SIZE: D	SHEET 9 OF 48

REV: PE0200